

# CONDITIONER TANKS

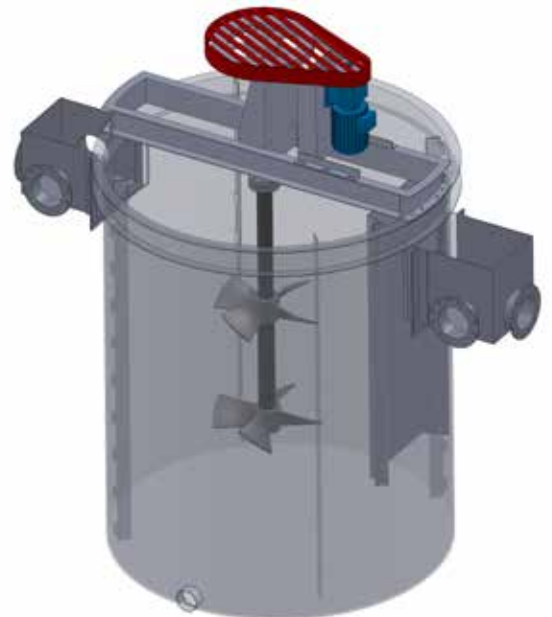


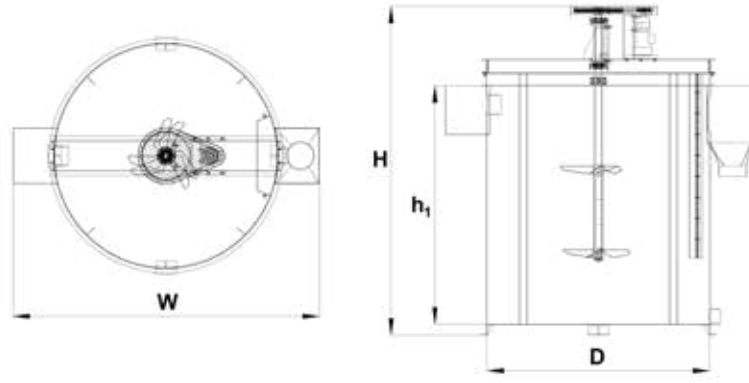
These tanks are designed and produced to condition pulps with flotation chemicals for a certain period of time for the preparation of minerals prior to flotation or depression.

Based on the ore characteristics and the tests, correct number and size of conditioners should be selected. Selection of a correct conditioner size is crucial as it determines the conditioning time which affects the flotation performance. To prevent sanding and for an efficient agitation, design of the impeller and its position together with its speed are selected as to the tank volume.

## SPECIFICATIONS

- Four baffles that prevent swirling in the tank
- Extended discharge pipe to prevent short circuiting
- Single or double propellers for light or heavy duties
- Prompt supply of high-quality, reasonably priced spare parts





### CONDITIONER TANKS

	D	H	W	h <sub>1</sub>	Active Volume m <sup>3</sup>	Weight (kg)
KON 1320x1500	1320	2640	1850	1500	1,5	1100
KON 1400x2000	1400	2890	1930	2000	2,3	1500
KON 1500x1500	1500	2500	2000	1500	2,0	1200
KON 1500x1800	1500	2750	2000	1800	2,4	1400
KON 1500x2000	1500	2950	2000	2000	2,6	1500
KON 1600x2000	1600	2900	2100	2000	3,0	1600
KON 1800x1800	1800	2750	2300	1800	3,4	1600
KON 1800x2000	1800	2950	2300	2000	3,8	1800
KON 1800x2200	1800	3150	2300	2200	4,2	2000
KON 1800x2400	1800	3350	2300	2400	4,6	2100
KON 1900x2250	1900	3200	2400	2250	4,8	2100
KON 2000x2000	2000	2950	2700	2000	4,7	1900
KON 2000x2200	2000	3150	2700	2200	5,2	2000
KON 2000x3000	2000	3950	2700	3000	7,1	2500
KON 2200x2400	2200	3350	2900	2400	6,8	2200
KON 2400x2600	2400	3650	3250	2600	8,8	2500
KON 2400x3000	2400	4050	3050	3000	10,2	2800
KON 2450x3450	2450	4500	3400	3450	12,2	3000
KON 2500x2550	2500	3450	3200	2550	9,4	2400
KON 2500x2700	2500	3650	3300	2700	9,9	2600
KON 2600x3000	2600	4050	3550	3000	11,9	3000
KON 2600x3100	2600	4150	3550	3100	12,3	3100
KON 2700x2700	2700	3600	3600	2700	11,6	2800
KON 2700x3100	2700	4100	3600	3100	13,3	3300
KON 2800x3300	2800	4050	3600	3300	15,2	3700
KON 3000x3000	3000	4050	3750	3000	15,9	3300
KON 3100x3500	3100	5000	3300	3500	19,8	3600
KON 3200x3600	3200	4600	4100	3600	21,7	4300
KON 3300x3600	3300	4650	4400	3600	23,1	4700
KON 4000x4000	4000	6230	5530	4000	37,7	7200
KON 4000x4250	4000	5700	5530	4250	40,0	7700
KON 4200x5500	4200	7000	5400	5500	57,1	8700

\*Motor power is subject to change as to plant conditions.